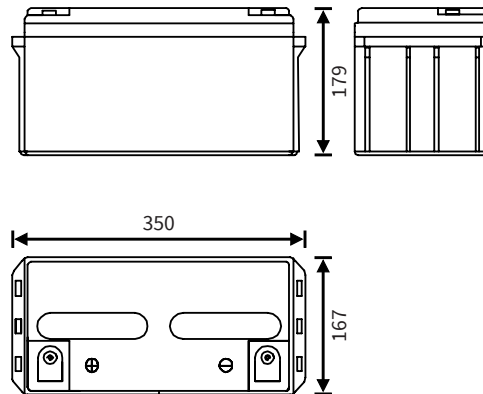


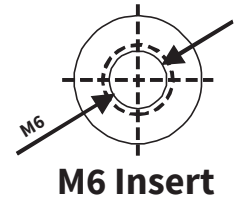
## CPL 65-12IJ

Long life AGM battery (10-12 year design life)

Dimensions (mm)



Standard terminal



No image available at this time

### Typical applications

- UPS systems
- Data centers
- Telecom systems
- Security systems
- Emergency lighting
- Air traffic power stations
- Medical equipment
- Solar energy

### Features

- Valve Regulated Lead Acid (VRLA)
- Maintenance free
- Absorbent Glassmat Technology (AGM)
- Built to comply with DIN 43534, IEC8962, BS6290-pt.4
- Low self discharge
- Classified as non-spillable under IATA, ADR and IMDG regulations
- Can be discharged or stored in any position without leakage
- Battery cannot be charged while upside down
- Produced under ISO 9001 & ISO 14001

Nominal voltage	12 V
Nominal capacity (1.70V/c, 25°C)	24Hr: 73.4 Ah 10Hr: 67.6 Ah
Nominal power (1.65V/c, 25°C)	10Min: 267.0 W/cell
Internal resistance	≤6.8mΩ (fully charged)
Maximum charge current	19.5 A
Maximum discharge current	650 A (max. 5 sec)
Float use / cyclic use	13.6V - 13.8V / 14.1V - 14.4V
Self discharge	Lower than 3% per month
Operating temperature range	-20°C ~ 50°C
Designlife (20°C)	10-12 years in float (Eurobat)
Standard terminal	Insert M6 (8.5 Nm Torque)
Housing material	ABS (UL94-HB)
Dimensions Length	350 mm
Dimensions Width	167 mm
Dimensions Height	179 mm
Approximate Weight	23.40 kg
Packing	1 pcs / box

### Constant Current Discharge (Amps) at 25 °C (77°F)

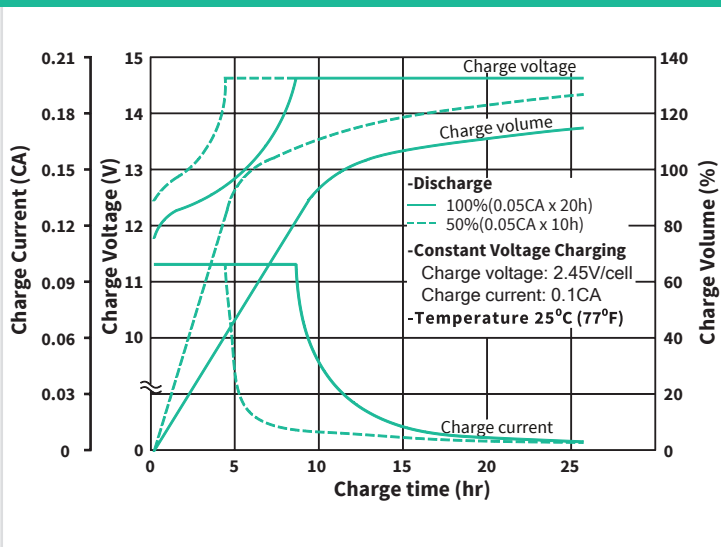
F.V/TIME	5 Min	10 Min	15 Min	20 Min	25 Min	30 Min	35 Min	40 Min	45 Min	60 Min	90 Min	2 Hr	3 Hr	4 Hr	5 Hr	6 Hr	7 Hr	8 Hr	10 Hr	12 Hr	24 Hr
1.80V/cell	165	120	100	80.9	69.4	61.8	55.6	50.9	47.3	38.3	27.3	21.8	16.3	13.0	11.1	9.57	8.47	7.65	6.50	5.53	2.86
1.75V/cell	178	132	108	87.1	74.6	66.2	59.2	53.9	49.8	40.9	28.8	22.8	16.7	13.3	11.3	9.74	8.62	7.78	6.61	5.62	2.97
1.70V/cell	191	143	114	90.2	75.8	66.3	59.4	54.2	50.1	41.5	29.2	23.1	16.9	13.5	11.5	9.92	8.79	7.95	6.76	5.75	3.06
1.65V/cell	203	151	116	92.2	77.7	68.0	61.5	56.6	52.8	41.9	29.5	23.3	17.1	13.7	•	•	•	•	•	•	•
1.60V/cell	215	160	125	97.8	81.4	70.5	63.0	57.4	53.0	44.2	30.9	24.3	17.7	14.2	•	•	•	•	•	•	•

### Constant Power Discharge (Watts) per Cell\* at 25 °C (77°F)

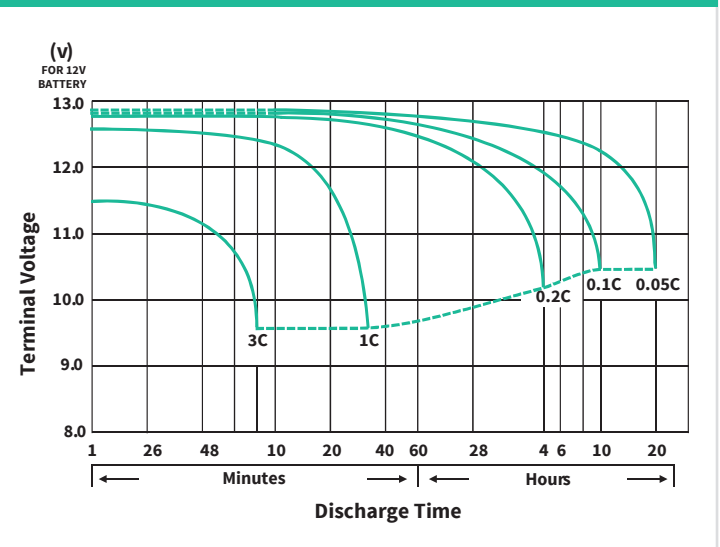
F.V/TIME	5 Min	10 Min	15 Min	20 Min	25 Min	30 Min	35 Min	40 Min	45 Min	60 Min	90 Min	2 Hr	3 Hr	4 Hr	5 Hr	6 Hr	7 Hr	8 Hr	10 Hr	12 Hr	24 Hr
1.80V/cell	294	220	183	149	128	114	104	96.9	91.2	75.0	53.4	42.5	31.7	25.5	21.7	18.7	16.5	14.9	12.6	10.7	5.78
1.75V/cell	315	237	193	155	131	116	106	98.3	92.4	75.4	53.9	43.2	32.4	25.9	22.0	18.9	16.7	15.0	12.7	10.8	5.84
1.70V/cell	337	252	197	158	134	118	108	100	94.5	77.2	55.5	44.6	33.7	26.6	22.4	19.2	16.9	15.2	12.8	10.9	5.88
1.65V/cell	359	267	206	166	143	127	114	104	96.5	79.0	56.4	45.1	33.8	26.8	•	•	•	•	•	•	•
1.60V/cell	381	282	222	177	150	132	117	106	98.0	80.8	57.7	46.1	34.5	27.2	•	•	•	•	•	•	•

\*: Battery consists of 6 cells

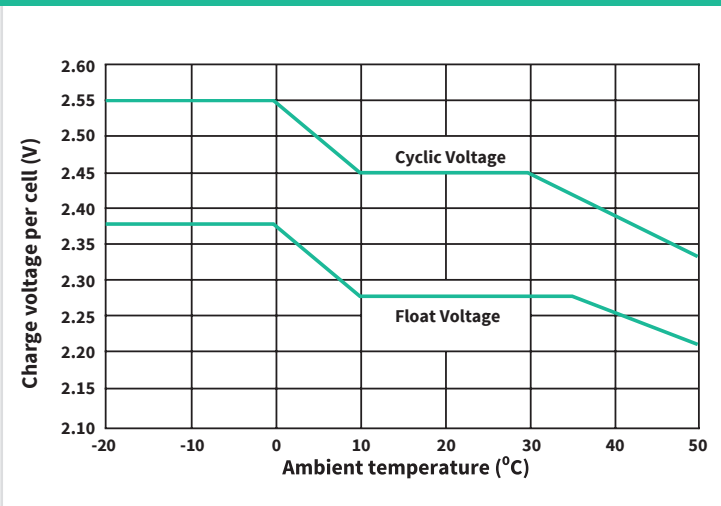
## Charge characteristics



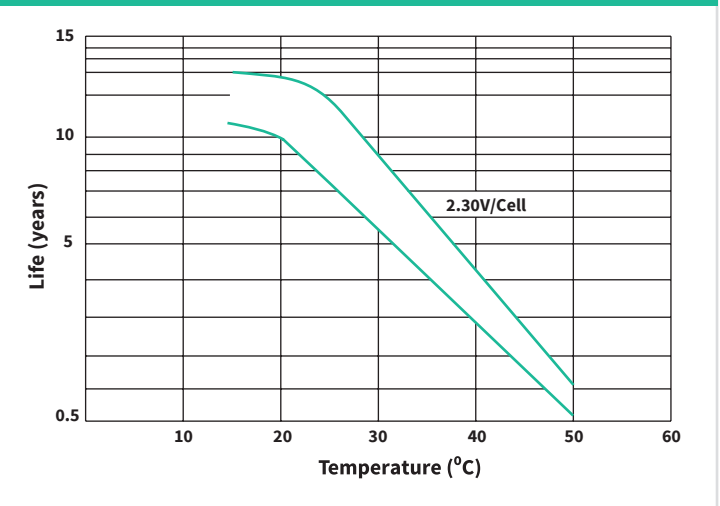
## Discharge characteristics



## Charge voltage in relation to temperature



## Service life in relation to temperature



## Models available

Model	Voltage	Capacity (Ah)	Dimensions (mm)	Weight (kg)
CPL 9-12L	12	9	151x65x102	2.70
CPL 12-12	12	12	151x98x101	3.70
CPL 18-12	12	18	181x76x167	5.45
CPL 28-12I	12	28	168x178x124	8.40
CPL 28-12IA	12	28	164x124x175	9.00
CPL 33-12	12	33	195x130x160	10.70
CPL 45-12I	12	45	198x167x160	13.80
CPL 55-12I	12	55	229x138x213	17.30
CPL 65-12IJ	12	65	350x167x179	23.40
CPL 80-12	12	80	260x170x207	24.20
CPL 100-12	12	100	307x168x214	29.50
CPL 135-12	12	135	342x172x285	41.40
CPL 150-12	12	150	485x172x240	47.00
CPL 250-12	12	250	521x269x220	78.00

## Cellpower family

Cellpower supplies a broad range of reliable AGM, GEL and Lithium batteries. Each product series has its own unique characteristics, so that there is a suitable battery for every application with its associated specific usage profile. Combined with the right Cellpower battery accessories, you are able to assemble a high-quality and reliable battery system.

The sealed, maintenance-free AGM lead battery type has a long operational lifetime. When used correctly, the Absorbed Glass Mat (AGM) technology offers dependable, lasting service. Additionally, AGM batteries exhibit very little self-discharge when compared with other lead-acid batteries. Sealed lead-acid batteries require low maintenance and do not need to be refilled with water or other liquids.

