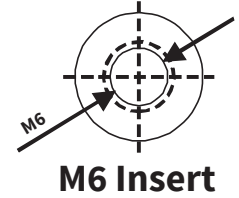
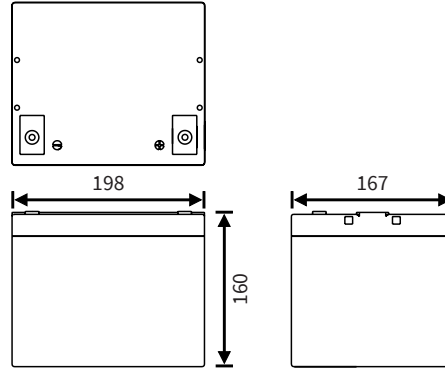


## CPL 45-12I

Long life AGM battery (10-12 year design life)

### Dimensions (mm)

### Standard terminal



No image available at this time

### Typical applications

- UPS systems
- Data centers
- Telecom systems
- Security systems
- Emergency lighting
- Air traffic power stations
- Medical equipment
- Solar energy

### Features

- Valve Regulated Lead Acid (VRLA)
- Maintenance free
- Absorbent Glassmat Technology (AGM)
- Built to comply with DIN 43534, IEC8962, BS6290-pt.4
- Low self discharge
- Classified as non-spillable under IATA, ADR and IMDG regulations
- Can be discharged or stored in any position without leakage
- Battery cannot be charged while upside down
- Produced under ISO 9001 & ISO 14001

Nominal voltage	12 V
Nominal capacity (1.70V/c, 25°C)	20Hr: 48.6 Ah
	10Hr: 46.8 Ah
Nominal power (1.65V/c, 25°C)	10Min: 215.0 W/cell
Internal resistance	≤5.20mΩ (fully charged)
Maximum charge current	11.0 A
Maximum discharge current	350 A (max. 5 sec)
Float use / cyclic use	13.6V - 13.8V / 14.1V - 14.4V
Self discharge	Lower than 3% per month
Operating temperature range	-20°C ~ 50°C
Designlife (20°C)	10-12 years in float (Eurobat)
Standard terminal	Insert M6 (7 Nm Torque)
Housing material	ABS (UL94-HB)
Dimensions Length	198 mm
Dimensions Width	167 mm
Dimensions Height	160 mm
Approximate Weight	13.80 kg
Packing	1 pcs / box

### Constant Current Discharge (Amps) at 25 °C (77°F )

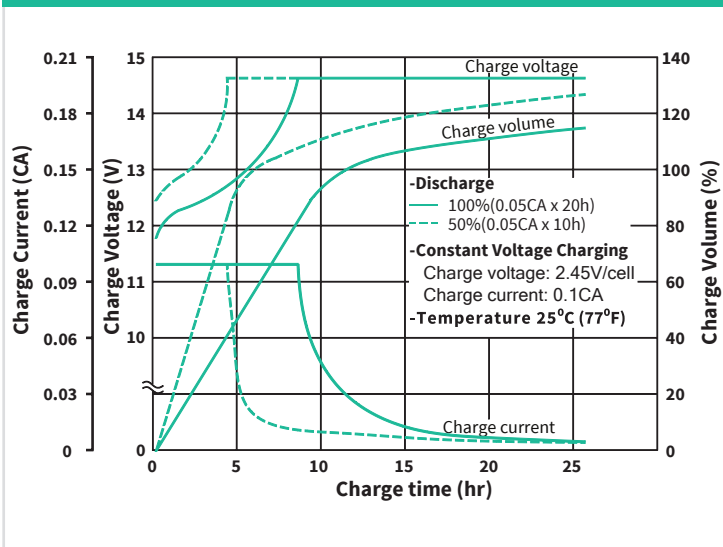
F.V/TIME	5 Min	10 Min	15 Min	20 Min	25 Min	30 Min	35 Min	40 Min	45 Min	60 Min	90 Min	2 Hr	3 Hr	4 Hr	5 Hr	6 Hr	7 Hr	8 Hr	10 Hr	12 Hr	20 Hr
1.85V/cell	162	104	78.4	63.9	53.9	46.6	41.2	37.1	33.7	26.8	19.4	15.3	11.1	8.81	7.33	6.29	5.53	4.91	4.03	3.40	2.09
1.80V/cell	173	111	83.7	68.2	57.6	49.8	44.1	39.6	36.0	28.6	20.7	16.4	11.8	9.41	7.83	6.72	5.90	5.25	4.30	3.63	2.23
1.75V/cell	184	118	89.1	72.6	61.3	53.0	46.9	42.1	38.3	30.4	22.0	17.4	12.6	10.0	8.33	7.15	6.28	5.58	4.58	3.86	2.38
1.70V/cell	188	121	91.0	74.2	62.6	54.2	47.9	43.0	39.1	31.1	22.5	17.8	12.9	10.2	8.52	7.31	6.42	5.70	4.68	3.95	2.43
1.67V/cell	190	122	91.8	74.8	63.2	54.6	48.3	43.4	39.5	31.3	22.7	18.0	13.0	10.3	•	•	•	•	•	•	•
1.65V/cell	191	122	92.2	75.1	63.4	54.8	48.5	43.6	39.6	31.5	22.8	18.0	13.0	10.4	•	•	•	•	•	•	•
1.60V/cell	193	123	93.1	75.8	64.0	55.4	49.0	44.0	40.0	31.8	23.0	18.2	13.1	10.5	•	•	•	•	•	•	•

### Constant Power Discharge (Watts) per Cell\* at 25 °C (77°F )

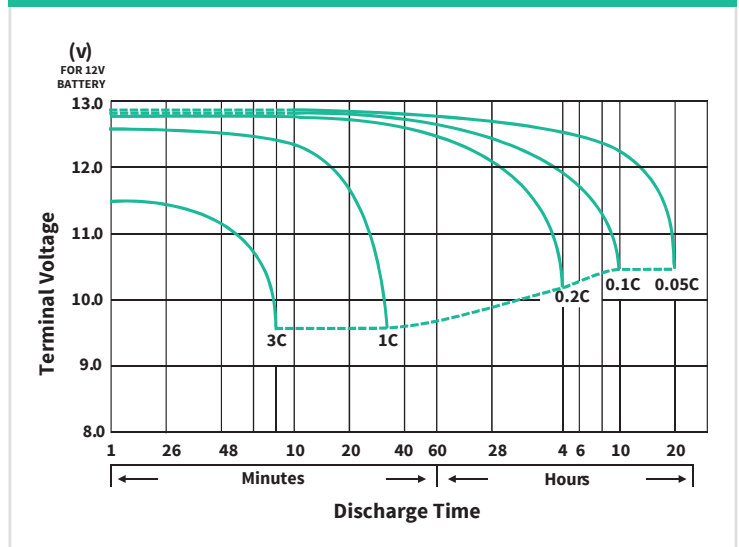
F.V/TIME	5 Min	10 Min	15 Min	20 Min	25 Min	30 Min	35 Min	40 Min	45 Min	60 Min	90 Min	2 Hr	3 Hr	4 Hr	5 Hr	6 Hr	7 Hr	8 Hr	10 Hr	12 Hr	20 Hr
1.85V/cell	309	183	138	115	100	90.2	81.7	74.7	68.7	54.8	39.5	31.3	22.4	17.7	14.7	12.6	11.0	9.8	8.10	6.85	4.24
1.80V/cell	330	195	148	123	107	96.4	87.3	79.8	73.4	58.5	42.2	33.5	24.0	18.9	15.7	13.5	11.8	10.5	8.65	7.32	4.53
1.75V/cell	351	208	157	131	114	103	92.8	84.9	78.1	62.3	44.9	35.6	25.5	20.1	16.7	14.4	12.5	11.2	9.2	7.79	4.82
1.70V/cell	359	212	160	134	117	105	94.9	86.7	79.8	63.6	45.9	36.4	26.1	20.6	17.1	14.7	12.8	11.4	9.4	7.96	4.93
1.67V/cell	362	214	162	135	118	106	95.7	87.5	80.5	64.2	46.3	36.7	26.3	20.8	•	•	•	•	•	•	•
1.65V/cell	364	215	163	136	118	106	96.1	87.9	80.8	64.5	46.5	36.8	26.4	20.8	•	•	•	•	•	•	•
1.60V/cell	367	217	164	137	119	107	97.0	88.7	81.6	65.1	46.9	37.2	26.7	21.0	•	•	•	•	•	•	•

\*: Battery consists of 6 cells

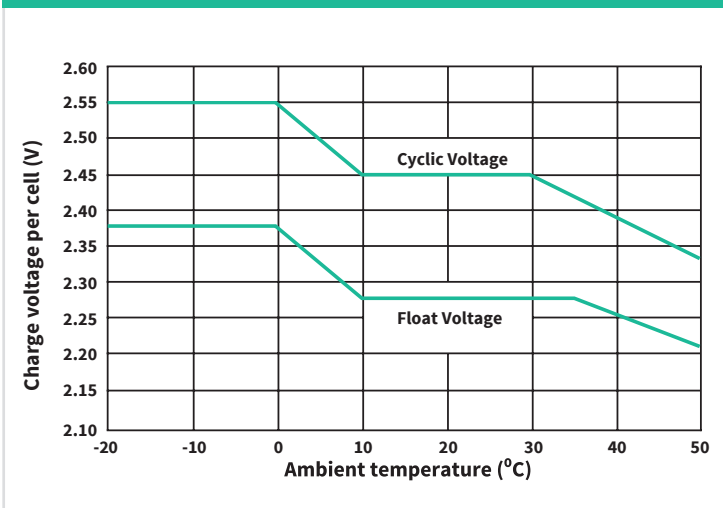
## Charge characteristics



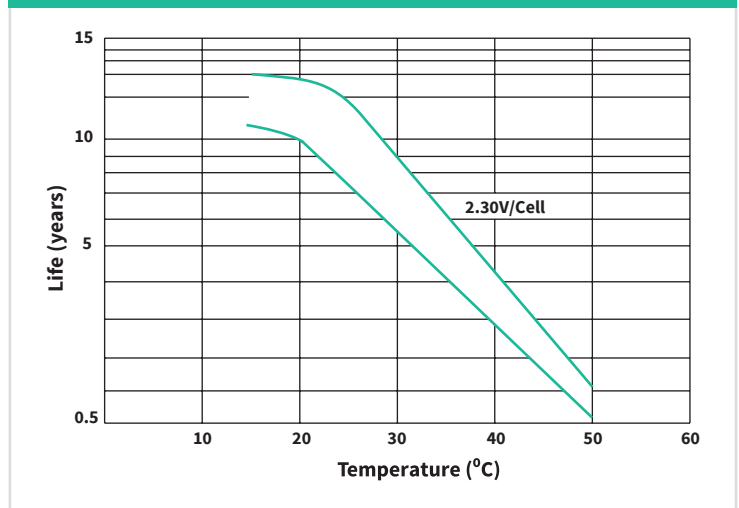
## Discharge characteristics



## Charge voltage in relation to temperature



## Service life in relation to temperature



## Models available

Model	Voltage	Capacity (Ah)	Dimensions (mm)	Weight (kg)
CPL 9-12L	12	9	151x65x102	2.70
CPL 12-12	12	12	151x98x101	3.70
CPL 18-12	12	18	181x76x167	5.45
CPL 28-12I	12	28	168x178x124	8.40
CPL 28-12IA	12	28	164x124x175	9.00
CPL 33-12	12	33	195x130x160	10.70
CPL 45-12I	12	45	198x167x160	13.80
CPL 55-12I	12	55	229x138x213	17.30
CPL 65-12IJ	12	65	350x167x179	23.40
CPL 80-12	12	80	260x170x207	24.20
CPL 100-12	12	100	307x168x214	29.50
CPL 135-12	12	135	342x172x285	41.40
CPL 150-12	12	150	485x172x240	47.00
CPL 250-12	12	250	521x269x220	78.00

## Cellpower family

Cellpower supplies a broad range of reliable AGM, GEL and Lithium batteries. Each product series has its own unique characteristics, so that there is a suitable battery for every application with its associated specific usage profile. Combined with the right Cellpower battery accessories, you are able to assemble a high-quality and reliable battery system.

The sealed, maintenance-free AGM lead battery type has a long operational lifetime. When used correctly, the Absorbed Glass Mat (AGM) technology offers dependable, lasting service. Additionally, AGM batteries exhibit very little self-discharge when compared with other lead-acid batteries. Sealed lead-acid batteries require low maintenance and do not need to be refilled with water or other liquids.

