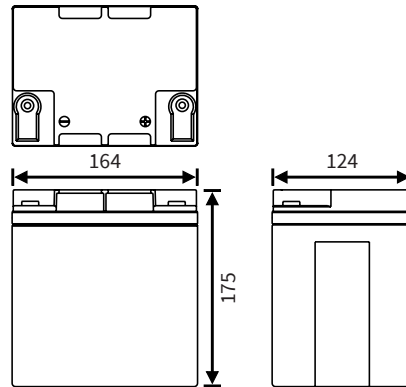


CPL 28-12IA

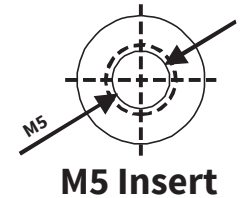
Long life AGM battery (10-12 year design life)



Dimensions (mm)



Standard terminal



Typical applications

- UPS systems
- Data centers
- Telecom systems
- Security systems
- Emergency lighting
- Air traffic power stations
- Medical equipment
- Solar energy

Features

- Valve Regulated Lead Acid (VRLA)
- Maintenance free
- Absorbent Glassmat Technology (AGM)
- Built to comply with DIN 43534, IEC8962, BS6290-pt.4
- Low self discharge
- Classified as non-spillable under IATA, ADR and IMDG regulations
- Can be discharged or stored in any position without leakage
- Battery cannot be charged while upside down
- Produced under ISO 9001 & ISO 14001

Nominal voltage	12 V
Nominal capacity (1.70V/c, 25°C)	20Hr: 32.2 Ah 10Hr: 30.6 Ah
Nominal power (1.65V/c, 25°C)	10Min: 156.0 W/cell
Internal resistance	≤7.75mΩ (fully charged)
Maximum charge current	7.0 A
Maximum discharge current	305 A (max. 5 sec)
Float use / cyclic use	13.6V - 13.8V / 14.1V - 14.4V
Self discharge	Lower than 3% per month
Operating temperature range	-20°C ~ 50°C
Designlife (20°C)	10-12 years in float (Eurobat)
Standard terminal	Insert M5 (6 Nm Torque)
Housing material	ABS (UL94-HB)
Dimensions Length	164 mm
Dimensions Width	124 mm
Dimensions Height	175 mm
Approximate Weight	9.00 kg
Packing	1 pcs / box

Constant Current Discharge (Amps) at 25 °C (77°F)

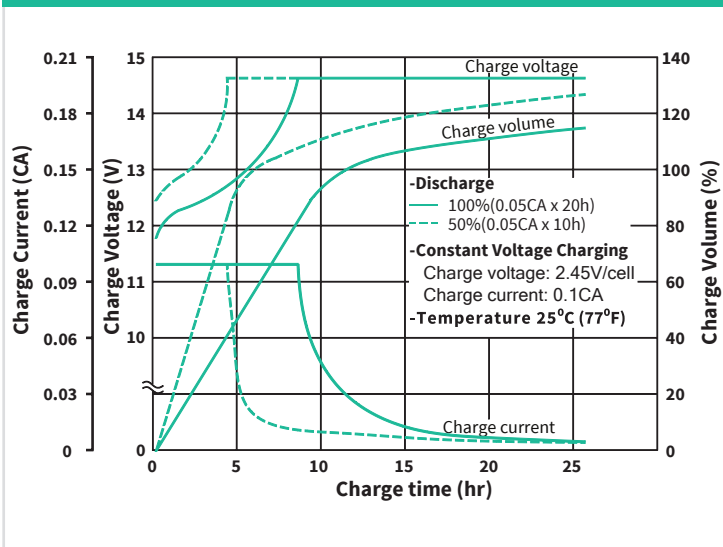
F.V/TIME	5 Min	10 Min	15 Min	20 Min	25 Min	30 Min	35 Min	40 Min	45 Min	60 Min	90 Min	2 Hr	3 Hr	4 Hr	5 Hr	6 Hr	7 Hr	8 Hr	10 Hr	12 Hr	20 Hr
1.85V/cell	104	64.9	49.6	40.6	34.9	30.6	27.4	24.6	22.5	17.9	12.9	10.1	7.26	5.74	4.77	4.08	3.58	3.20	2.63	2.23	1.38
1.80V/cell	111	69.4	53.0	43.4	37.3	32.7	29.3	26.3	24.0	19.1	13.8	10.8	7.75	6.13	5.09	4.36	3.83	3.42	2.81	2.38	1.48
1.75V/cell	119	73.8	56.3	46.2	39.6	34.8	31.1	28.0	25.6	20.3	14.7	11.5	8.25	6.52	5.42	4.64	4.07	3.63	2.99	2.53	1.57
1.70V/cell	121	75.4	57.6	47.2	40.5	35.6	31.8	28.6	26.1	20.7	15.0	11.7	8.43	6.67	5.54	4.74	4.16	3.71	3.06	2.59	1.61
1.67V/cell	122	76.1	58.1	47.6	40.9	35.9	32.1	28.9	26.4	20.9	15.1	11.8	8.50	6.72	•	•	•	•	•	•	•
1.65V/cell	123	76.4	58.3	47.8	41.0	36.0	32.2	29.0	26.5	21.0	15.2	11.9	8.54	6.75	•	•	•	•	•	•	•
1.60V/cell	124	77.1	58.9	48.2	41.4	36.4	32.5	29.3	26.7	21.2	15.3	12.0	8.62	6.82	•	•	•	•	•	•	•

Constant Power Discharge (Watts) per Cell* at 25 °C (77°F)

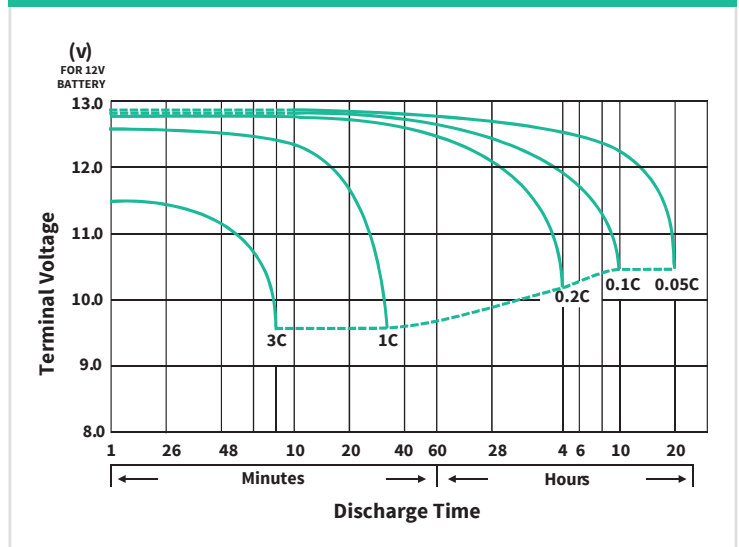
F.V/TIME	5 Min	10 Min	15 Min	20 Min	25 Min	30 Min	35 Min	40 Min	45 Min	60 Min	90 Min	2 Hr	3 Hr	4 Hr	5 Hr	6 Hr	7 Hr	8 Hr	10 Hr	12 Hr	20 Hr
1.85V/cell	232	132	96	77	66,2	58,2	52	47,3	43,8	35,3	25,3	19,7	14,1	11,2	9,36	8,05	7,08	6,34	5,24	4,45	2,71
1.80V/cell	248	141	103	82,2	70,7	62,2	55,6	50,5	46,8	37,7	27	21,1	15,1	12	10	8,6	7,57	6,78	5,59	4,75	2,89
1.75V/cell	263	151	109	87,5	75,3	66,2	59,1	53,8	49,8	40,1	28,7	22,4	16	12,8	10,6	9,15	8,05	7,21	5,95	5,05	3,08
1.70V/cell	269	154	112	89,4	76,9	67,6	60,4	54,9	50,9	41	29,4	22,9	16,4	13	10,9	9,35	8,23	7,37	6,08	5,16	3,15
1.67V/cell	272	155	113	90,2	77,6	68,2	61	55,4	51,4	41,4	29,6	23,1	16,5	13,1	•	•	•	•	•	•	•
1.65V/cell	273	156	113	90,6	77,9	68,5	61,2	55,6	51,6	41,5	29,8	23,2	16,6	13,2	•	•	•	•	•	•	•
1.60V/cell	275	157	114	91,4	78,7	69,1	61,8	56,2	52,1	41,9	30	23,4	16,8	13,3	•	•	•	•	•	•	•

*: Battery consists of 6 cells

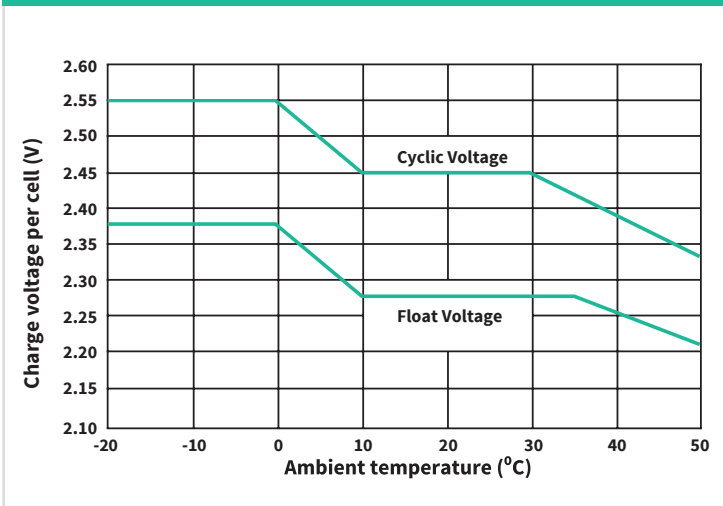
Charge characteristics



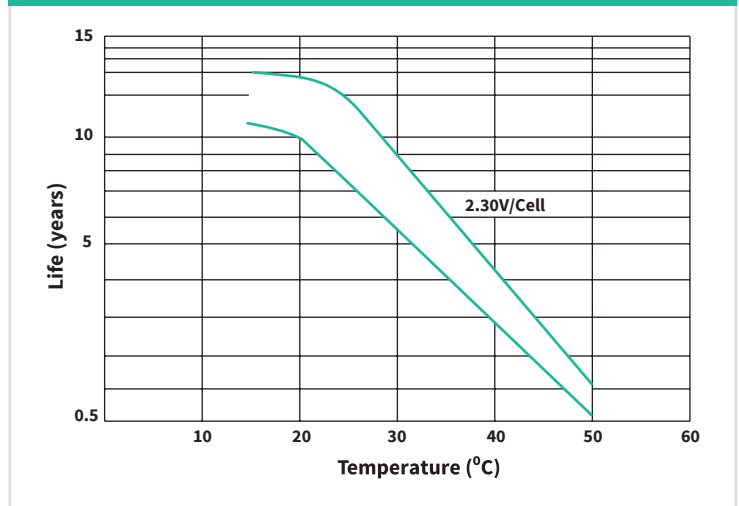
Discharge characteristics



Charge voltage in relation to temperature



Service life in relation to temperature



Models available

Model	Voltage	Capacity (Ah)	Dimensions (mm)	Weight (kg)
CPL 9-12L	12	9	151x65x102	2.70
CPL 12-12	12	12	151x98x101	3.70
CPL 18-12	12	18	181x76x167	5.45
CPL 28-12I	12	28	168x178x124	8.40
CPL 28-12IA	12	28	164x124x175	9.00
CPL 33-12	12	33	195x130x160	10.70
CPL 45-12I	12	45	198x167x160	13.80
CPL 55-12I	12	55	229x138x213	17.30
CPL 65-12IJ	12	65	350x167x179	23.40
CPL 80-12	12	80	260x170x207	24.20
CPL 100-12	12	100	307x168x214	29.50
CPL 135-12	12	135	342x172x285	41.40
CPL 150-12	12	150	485x172x240	47.00
CPL 250-12	12	250	521x269x220	78.00

Cellpower family

Cellpower supplies a broad range of reliable AGM, GEL and Lithium batteries. Each product series has its own unique characteristics, so that there is a suitable battery for every application with its associated specific usage profile. Combined with the right Cellpower battery accessories, you are able to assemble a high-quality and reliable battery system.

The sealed, maintenance-free AGM lead battery type has a long operational lifetime. When used correctly, the Absorbed Glass Mat (AGM) technology offers dependable, lasting service. Additionally, AGM batteries exhibit very little self-discharge when compared with other lead-acid batteries. Sealed lead-acid batteries require low maintenance and do not need to be refilled with water or other liquids.

