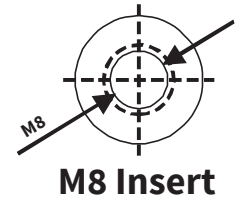
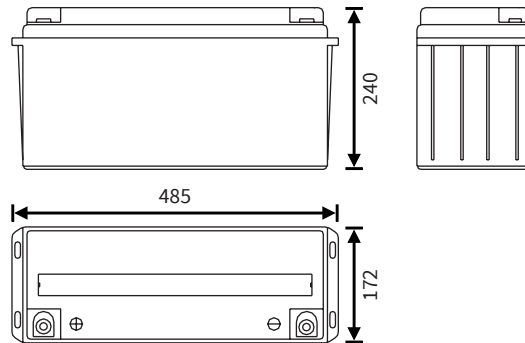


CPL 150-12

Long life AGM battery (10-12 year design life)

Dimensions (mm)

Standard terminal



No image available
at this time

Typical applications

- UPS systems
- Data centers
- Telecom systems
- Security systems
- Emergency lighting
- Air traffic power stations
- Medical equipment
- Solar energy

Features

- Valve Regulated Lead Acid (VRLA)
- Maintenance free
- Absorbent Glassmat Technology (AGM)
- Built to comply with DIN 43534, IEC8962, BS6290-pt.4
- Low self discharge
- Classified as non-spillable under IATA, ADR and IMDG regulations
- Can be discharged or stored in any position without leakage
- Battery cannot be charged while upside down
- Produced under ISO 9001 & ISO 14001

Nominal voltage	12 V
Nominal capacity (1.70V/c, 25°C)	20Hr: 158.4 Ah
	10Hr: 151.0 Ah
Nominal power (1.70V/c, 25°C)	10Min: 538.7 W/cell
Internal resistance	≤3.5mΩ (fully charged)
Maximum charge current	45.0 A
Maximum discharge current	1200 A (max. 5 sec)
Float use / cyclic use	13.6V - 13.8V / 14.1V - 14.4V
Self discharge	Lower than 3% per month
Operating temperature range	-20°C ~ 50°C
Designlife (20°C)	10-12 years in float (Eurobat)
Standard terminal	Insert M8 (14 Nm Torque)
Housing material	ABS (UL94-HB)
Dimensions Length	485 mm
Dimensions Width	172 mm
Dimensions Height	240 mm
Approximate Weight	47.00 kg
Packing	1 pcs / box

Constant Current Discharge (Amps) at 25 °C (77°F)

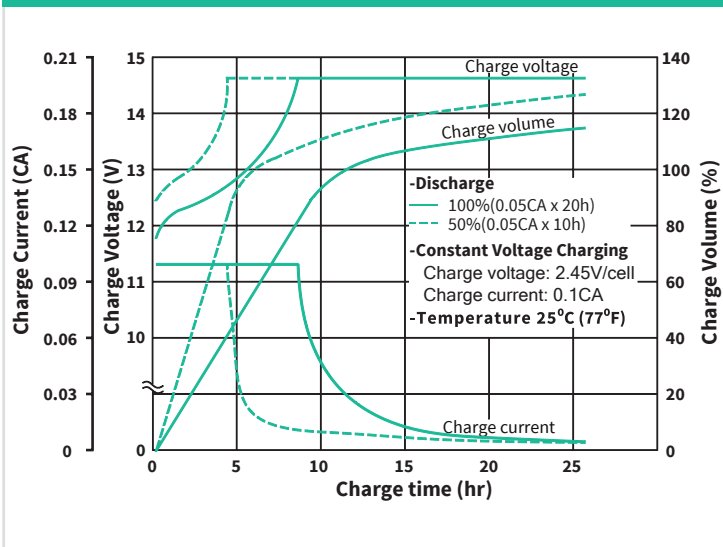
F.V/TIME	5 Min	10 Min	15 Min	30 Min	60 Min	3 Hr	5 Hr	10 Hr	20 Hr
1.80V/cell	422	281	226	142	86.2	37.5	26.5	15.0	7.88
1.70V/cell	449	299	238	150	90.7	38.3	27.0	15.1	7.92
1.60V/cell	473	315	248	156	94.5	38.8	27.4	15.2	7.99

Constant Power Discharge (Watts) per Cell* at 25 °C (77°F)

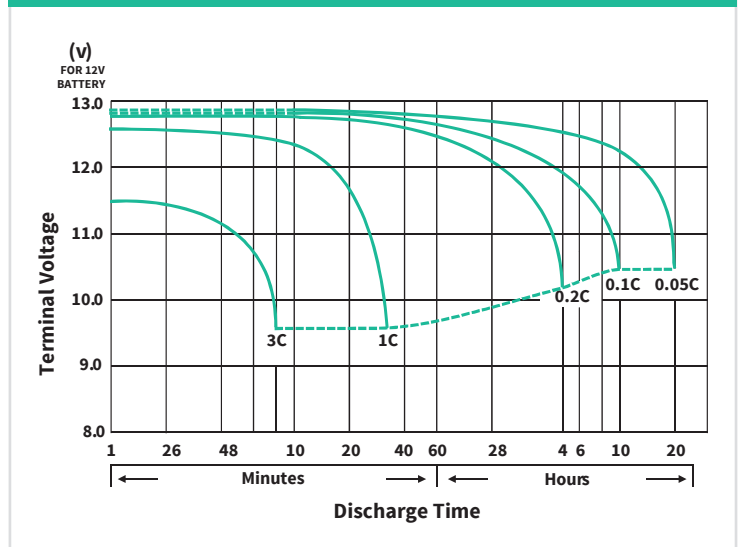
F.V/TIME	5 Min	10 Min	15 Min	30 Min	60 Min	3 Hr	5 Hr	10 Hr	20 Hr
1.80V/cell	738,33	506,33	413,00	266,00	163,67	73,50	52,13	30,00	15,75
1.70V/cell	785,50	538,67	434,83	280,00	172,33	75,00	53,18	30,00	15,85
1.60V/cell	826,83	567,00	453,00	291,67	179,50	76,17	53,98	30,33	15,98

*: Battery consists of 6 cells

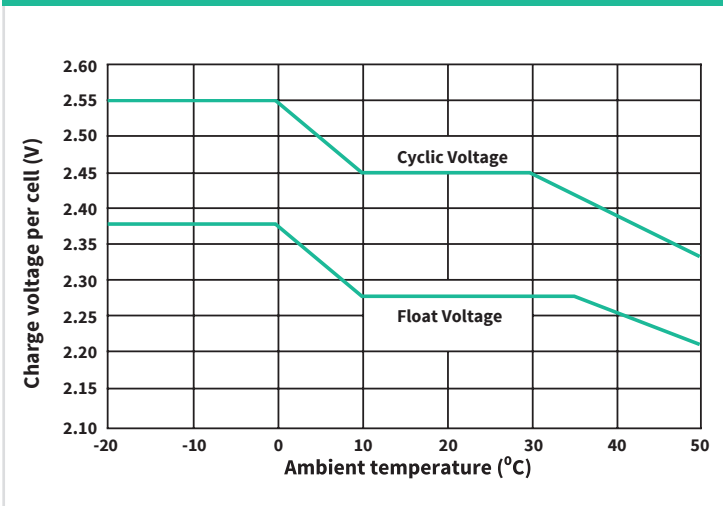
Charge characteristics



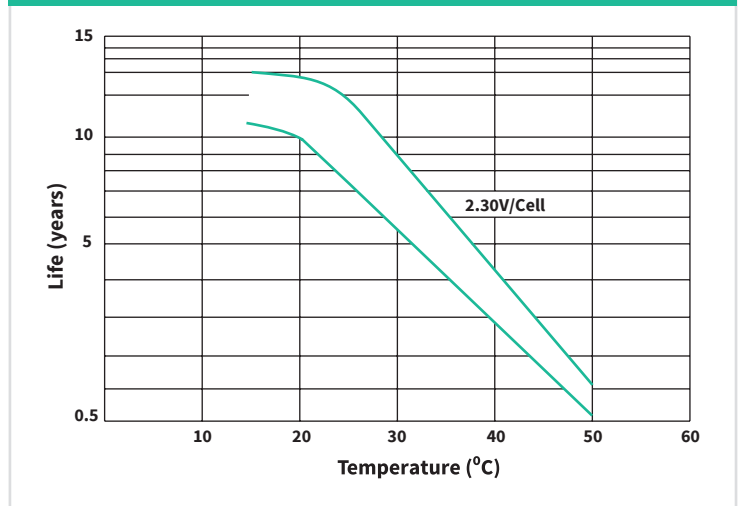
Discharge characteristics



Charge voltage in relation to temperature



Service life in relation to temperature



Models available

Model	Voltage	Capacity (Ah)	Dimensions (mm)	Weight (kg)
CPL 9-12L	12	9	151x65x102	2.70
CPL 12-12	12	12	151x98x101	3.70
CPL 18-12	12	18	181x76x167	5.45
CPL 28-12I	12	28	168x178x124	8.40
CPL 28-12IA	12	28	164x124x175	9.00
CPL 33-12	12	33	195x130x160	10.70
CPL 45-12I	12	45	198x167x160	13.80
CPL 55-12I	12	55	229x138x213	17.30
CPL 65-12IJ	12	65	350x167x179	23.40
CPL 80-12	12	80	260x170x207	24.20
CPL 100-12	12	100	307x168x214	29.50
CPL 135-12	12	135	342x172x285	41.40
CPL 150-12	12	150	485x172x240	47.00
CPL 250-12	12	250	521x269x220	78.00

Cellpower family

Cellpower supplies a broad range of reliable AGM, GEL and Lithium batteries. Each product series has its own unique characteristics, so that there is a suitable battery for every application with its associated specific usage profile. Combined with the right Cellpower battery accessories, you are able to assemble a high-quality and reliable battery system.

The sealed, maintenance-free AGM lead battery type has a long operational lifetime. When used correctly, the Absorbed Glass Mat (AGM) technology offers dependable, lasting service. Additionally, AGM batteries exhibit very little self-discharge when compared with other lead-acid batteries. Sealed lead-acid batteries require low maintenance and do not need to be refilled with water or other liquids.

